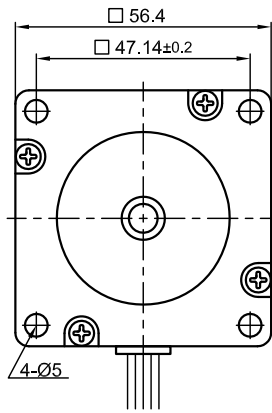
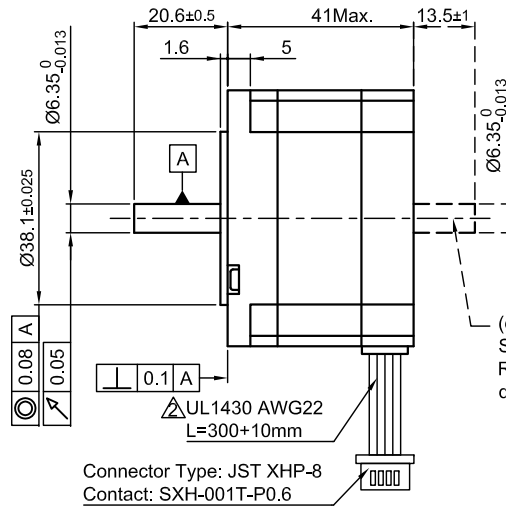


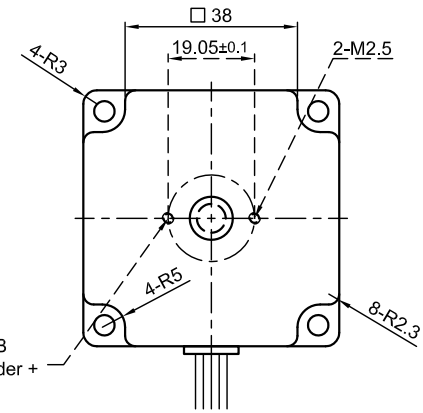
Front view and mounting



Side view

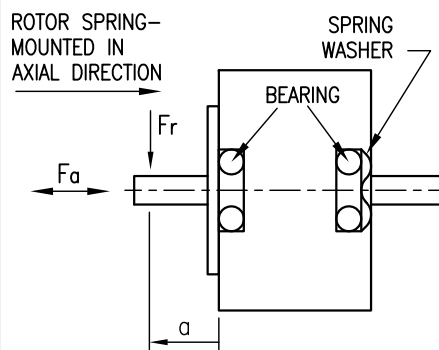


Rear view



SPECIFICATION	CONNECTION	UNIPOLAR OR BIPOLAR-1 WINDING	BIPOLAR	
			SERIAL	PARALLEL
VOLTAGE (VDC)		2.4		
AMPS/PHASE		2.0	1.41	2.83
RESISTANCE/PHASE (Ohms)@25°C		1.2±15%	2.4±15%	0.6±15%
INDUCTANCE/PHASE (mH) @1KHz		1.3±20%	5.2±20%	1.3±20%
HOLDING TORQUE (Nm) [lb-in]		0.38 [3.363]	0.537 [4.752]	0.537 [4.752]
DETENT TORQUE (Nm) [lb-in]		0.0147 [0.13]		
STEP ANGLE (°) ± ACCURACY		1.8±5% (NON-ACCUM)		
BACK-EMF (V) (300 U/min)			8.1	
ROTOR INERTIA (Kg-m ²) [lb-in ²]		1.35x10 ⁻⁵ [0.046]		
WEIGHT (Kg) [lb]		0.49 [1.08]		
TEMPERATURE RISE: MAX.80°C (MOTOR STANDSTILL; FOR 2 PHASE ENERGIZED)				
AMBIENT TEMPERATURE -10~ 50°C [14°F ~ 122°F]				
INSULATION RESISTANCE 100 MOhm (UNDER NORMAL TEMPERATURE AND HUMIDITY)				
INSULATION CLASS B 130° [266°F]				
DIELECTRIC STRENGTH 500VAC FOR 1 MIN. (BETWEEN THE MOTOR COILS AND THE MOTOR CASE)				
AMBIENT HUMIDITY MAX. 85% (NO CONDENSATION)				

PERMISSIBLE RADIAL+AXIAL FORCE



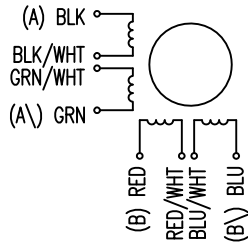
	AXIAL-FORCE Fa (N)	Fa=10			
DISTANCE a (mm)		5	10	15	20
RADIAL-FORCE Fr (N)		130	90	70	52
		AXIAL	RADIAL		
SHAFT PLAY (mm)		0.08	0.02		
AT LOAD MAX: (N)		4.5	4.5		

TYPE OF CONNECTION (EXTERN)				MOTOR		
UNIPOLAR	BIPOLAR 1WINDING	BIPOLAR SERIAL	BIPOLAR PARALLEL	CONNECTOR PIN NO. (A)	LEADS	WINDING
A	A	A	A	1	BLK	A
COM	A			3	BLK/WHT	
A\		A\	A\	2	GRN/WHT	A\
B	B	B	B	4	GRN	B
COM	B			5	RED	
B\		B\	B\	7	RED/WHT	B\
				6	BLU/WHT	
				8	BLU	

FULL STEP 2 PHASE-Ex., WHEN FACING MOUNTING END (X)

STEP	A	B	A\	B\	CCW	CW
1	+	+	-	-	↓	↑
2	-	+	+	-	↓	↑
3	-	-	+	+	↓	↑
4	+	-	-	+	↓	↑

WIRING DIAGRAM



2	NEW UL NO.	10.12.08	J.W.	 Nanotec PLUG & DRIVE	SCALE FREE	APVD	S.Ha.	19.03.07	STEPPING MOTOR
1	PIN-ASSIGNMENT	08.01.08	J.W.		X ±0.5	CHKD			
REV	DESCRIPTION	DATE	APVD		1PL ±0.2	DRN	J.W.	22.11.06	
				2PL ±0.1	SIGNATURE		DATE		ST5918X2008
				ANGLE ±30'					