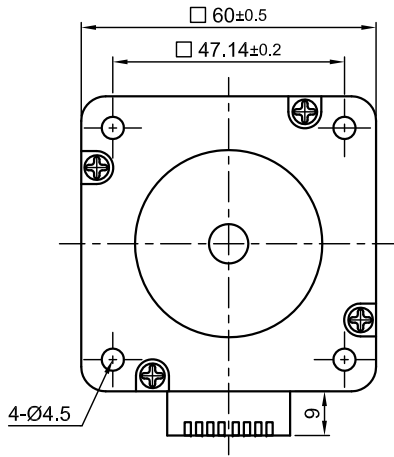
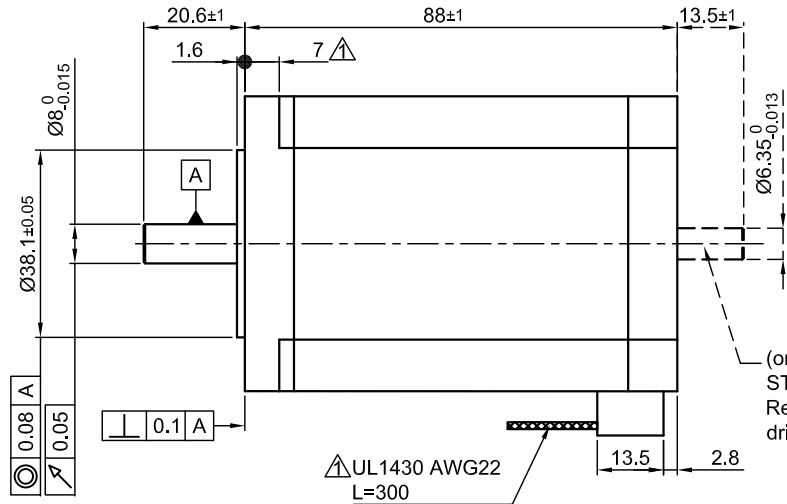


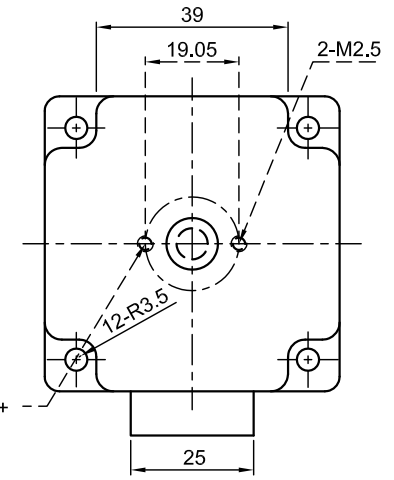
Front view and mounting



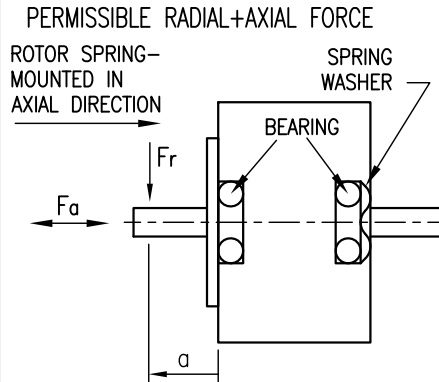
Side view



Rear view



SPECIFICATION	CONNECTION	UNIPOLAR OR BIPOLAR-1 WINDING	BIPOLAR	
			SERIAL	PARALLEL
VOLTAGE (VDC)		3.9		
AMPS/PHASE		3.0	2.12	4.24
RESISTANCE/PHASE (Ohms)@25°C		1.3±15%	2.6±15%	0.65±15%
INDUCTANCE/PHASE (mH) @1KHz		3.2±20%	12.8±20%	3.2±20%
HOLDING TORQUE (Nm) [lb-in]		2.2 [19.47]	3.1 [27.4]	3.1 [27.4]
DETENT TORQUE (Nm) [lb-in]		0.075 [0.664]		
STEP ANGLE (°) ± ACCURACY		1.8±5% (NON-ACCUM)		
BACK-EMF (V) (300 U/min)			35.5	
ROTOR INERTIA (Kg-m²) [lb-in²]		8.4x10 ⁻⁵ [0.287]		
WEIGHT (Kg) [lb]		1.4 [3.087]		
TEMPERATURE RISE: MAX.80°C (MOTOR STANDSTILL; FOR 2 PHASE ENERGIZED)				
AMBIENT TEMPERATURE -10~ 50°C [14°F ~ 122°F]				
INSULATION RESISTANCE 100 MOhm (UNDER NORMAL TEMPERATURE AND HUMIDITY)				
INSULATION CLASS B 130° [266°F]				
DIELECTRIC STRENGTH 500VAC FOR 1 MIN. (BETWEEN THE MOTOR COILS AND THE MOTOR CASE)				
AMBIENT HUMIDITY MAX. 85% (NO CONDENSATION)				

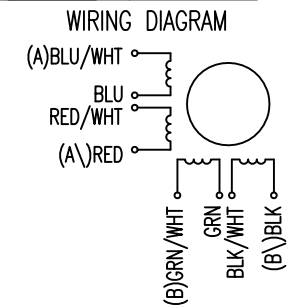


	AXIAL-FORCE Fa (N)	
	Fa=14	
AMBIENT TEMPERATURE	5	10
INSULATION RESISTANCE	15	20
INSULATION CLASS	163	112
DIELECTRIC STRENGTH	85	63
AMBIENT HUMIDITY		
	AXIAL	RADIAL
SHAFT PLAY (mm)	0.075	0.025
AT LOAD MAX: (N)	10	5.0

TYPE OF CONNECTION (EXTERN)				MOTOR	
UNIPOLAR	BIPOLAR			LEADS	WINDING
	1WINDING	SERIAL	PARALLEL		
A	A	A	A	BLU/WHT	A
COM				BLU	
A\	A\	A\	A\	RED/WHT	A\
B	B	B	B	RED	
COM				GRN/WHT	B
B\	B\	B\	B\	GRN	
				BLK/WHT	B\
				BLK	

FULL STEP 2 PHASE-Ex., WHEN FACING MOUNTING END (X)

STEP	A	B	A\	B\	CCW
1	+	+	-	-	↓
2	-	+	+	-	↑
3	-	-	+	+	↓
4	+	-	-	+	↑



REV	DESCRIPTION	DATE	APVD	ST6018L3008		SCALE FREE	APVD	S.Ha.	16.01.07	STEPPING MOTOR
2	NEW VALUE OF HOLDING TORQUE	13.05.11	J.W.	ST6018L3008		X ±0.5	CHKD			
1	LENGTH+UL NO.	04.08.09	J.W.			1PL ±0.2	DRN	J.W.	13.07.06	DWG.NO
						2PL ±0.1	SIGNATURE	DATE		ST6018L3008
						ANGLE ±30'				