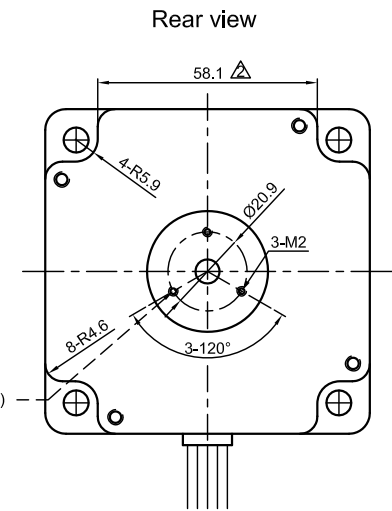
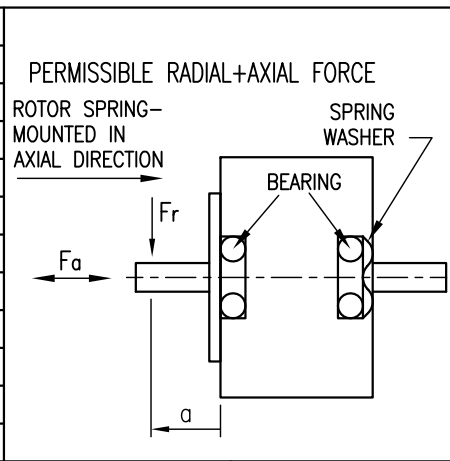


(only for type ST8918L6708-B Ready for encoder mount)



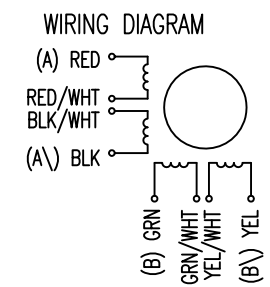
| SPECIFICATION | CONNECTION | UNIPOLAR OR BIPOLAR-1 WINDING | BIPOLAR | |
|--|------------|-------------------------------|--------------|--------------|
| | | | SERIAL | PARALLEL |
| VOLTAGE (VDC) | | 3.6 | | |
| AMPS/PHASE | | 6.7 | 4.7 | 9.5 |
| RESISTANCE/PHASE (Ohms)@25°C | | 0.54±15% | 1.08±15% | 0.27±15% |
| INDUCTANCE/PHASE (mH) @1KHz | | 2.7±20% | 10.8±20% | 2.7±20% |
| HOLDING TORQUE (Nm) [lb-in] | | 6.6 [58.41] | 9.33 [82.57] | 9.33 [82.57] |
| DETENT TORQUE (Nm) [lb-in] | | 0.20 [1.77] | | |
| STEP ANGLE (°) ± STEP ACCURACY | | 1.8 ± 5% (NON-ACCUM) | | |
| BACK-EMF (V) (300 U/min) | | 52.0 | | |
| ROTOR INERTIA (Kg-m ²) [lb-in ²] | | 3.0x10 ⁻⁴ [1.025] | | |
| WEIGHT (Kg) [lb] | | 3.95 [8.71] | | |



| UNIPOLAR | TYPE OF CONNECTION (EXTERN) | | | MOTOR | |
|----------|-----------------------------|----------------|------------------|---------|---------|
| | 1WINDING | BIPOLAR SERIAL | BIPOLAR PARALLEL | LEADS | WINDING |
| A | A | A | A | RED | A |
| COM | | | | RED/WHT | |
| A\ | | A\ | A\ | BLK/WHT | A\ |
| B | B | B | B | BLK | B |
| COM | | | | GRN | |
| B\ | | B\ | B\ | GRN/WHT | B\ |
| | | | | YEL/WHT | |
| | | | | YEL | |

FULL STEP 2 PHASE-Ex., WHEN FACING MOUNTING END (X)

| STEP | A | B | A\ | B\ | CCW | CW |
|------|---|---|----|----|-----|----|
| 1 | + | + | - | - | ↓ | ↑ |
| 2 | - | + | + | - | ↓ | ↑ |
| 3 | - | - | + | + | ↓ | ↑ |
| 4 | + | - | - | + | ↓ | ↑ |



| | | AXIAL-FORCE Fa (N) | | Fa=65 | |
|--|--|---------------------|--|-------|-------|
| TEMPERATURE RISE: MAX.80°C (MOTOR STANDSTILL; FOR 2 PHASE ENERGIZED) | | DISTANCE a (mm) | | 5 | 10 |
| AMBIENT TEMPERATURE -20~ 50°C [-4°F ~ 122°F] | | RADIAL-FORCE Fr (N) | | 535 | 355 |
| INSULATION RESISTANCE 100 MOhm (UNDER NORMAL TEMPERATURE AND HUMIDITY) | | SHAFT PLAY (mm) | | 0.075 | 0.025 |
| INSULATION CLASS B 130° [266°F] (PROTECTION IP30-WITH TERMINAL BOX IP54) | | AT LOAD MAX: (N) | | 10 | 5.0 |
| DIELECTRIC STRENGTH 500VAC FOR 1 MIN. (BETWEEN THE MOTOR COILS AND THE MOTOR CASE) | | | | | |
| AMBIENT HUMIDITY MAX. 85% (NO CONDENSATION) | | | | | |

| | | | |
|-----|---------------------|----------|------|
| 3 | VALUE OF RESISTANCE | 11.11.10 | J.W. |
| 2 | DIMENSION | 07.04.08 | J.W. |
| 1 | EMF(OLD)=46.3 | 18.09.07 | J.W. |
| REV | DESCRIPTION | DATE | APVD |

Nanotec
PLUG & DRIVE

ST8918L6708

| | | | |
|------------|-----------|-------|----------|
| SCALE FREE | APVD | S.Ha. | 09.01.07 |
| X ±0.5 | CHKD | | |
| 1PL ±0.2 | DRN | J.W. | 13.06.06 |
| 2PL ±0.1 | SIGNATURE | | |
| ANGLE ±30' | DATE | | |

STEPPING MOTOR

DWG.NO ST8918L6708